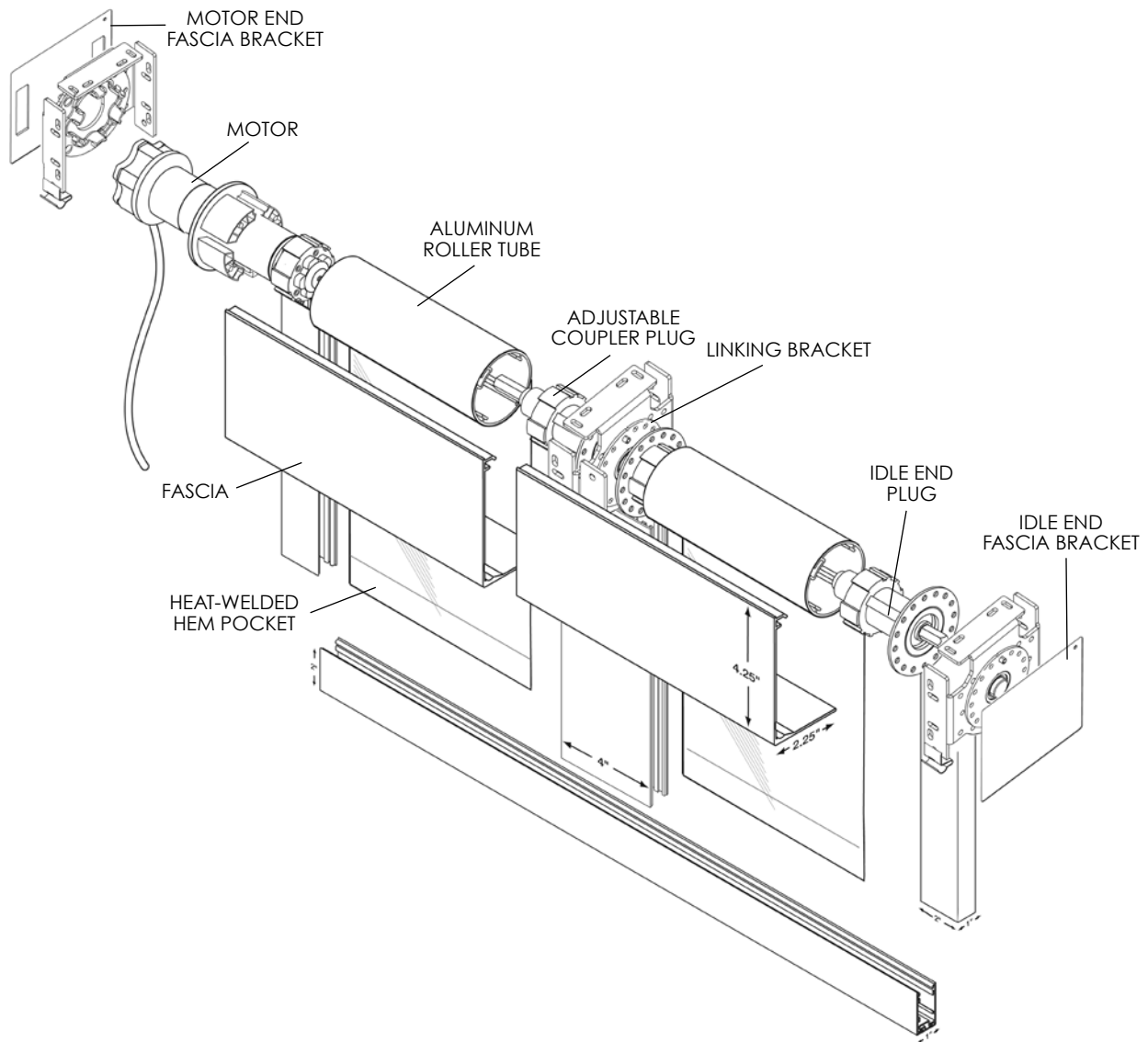


Data Sheet COUPLED STANDARD (60mm) MOTORIZED SHADES WITH BLACKOUT



- Two or more individual shades can be connected a mechanical coupler and operated by a single motor. Shades operate in tandem.
- All motors come standard with a quick disconnect plug.
- The number of shades that can be coupled is based on shade size and fabric selection.
- Adjustable idle end bracket allows shades to be leveled while in place.
- Spring loaded, adjustable coupler plug allows for precise leveling of shades.
- 4.25" X 2.25" fascia available in white, vanilla, clear anodized, bronze and black.
- 2" x 1" side and sill channels and 4" x 1" center channel are extruded aluminum with synthetic pile inserts to eliminate light leakage. Available in white, clear anodized and bronze.